

Technical Data

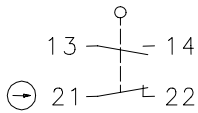
Rope pull switch

Series SEM2

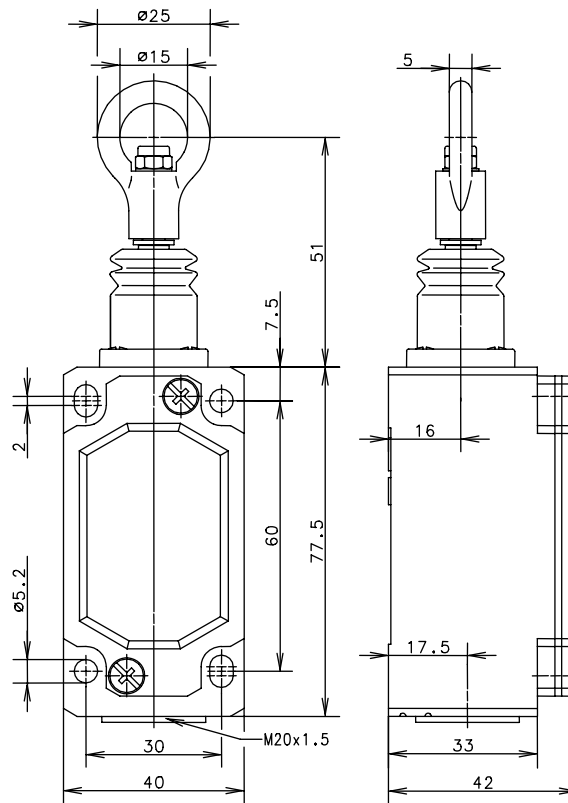
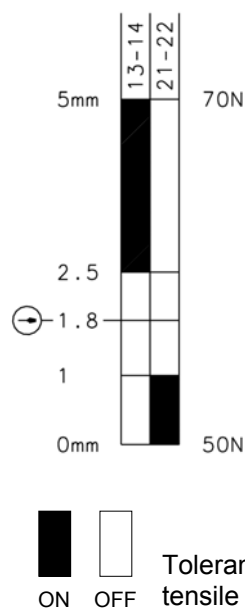
Description **SEM2-U1Z**

Article number **6012811029**

Operating symbol



Operating diagram



Electrical data

Rated insulation voltage	U_i	400 VAC
Conv. thermal current	I_{the}	10 A
Rated operational voltage	U_e	240 V
Utilization category		AC-15, U_e/I_e 240 V / 3 A
Direct opening action	\ominus	acc. to IEC/EN 60947-5-1, Annex K
Short-circuit protective device		Fuse 10 A gL/gG
Protection class		I

This document will not become the contractual basis; the details included herein do not constitute any descriptions of expected conditions, so that warranties/claims for defects on account of possible variations of the actual qualities from the qualities described herein are explicitly excluded. All rights reserved. Specifications subject to change without notice!

Date of issue: 09.11.2010 / Page 1 of 2
Document: 6012811029_en.doc / Last update: 2 / 2783-10

Technical Data

Rope pull switch



Mechanical data	
Enclosure	Al-die cast
Cover	Al-plate
Actuator	Pull ring (Zn-die cast)
Ambient air temperature	-30 °C ... +80 °C
Contact type (not pretensioned installation)	1 NC, 1 NO (Zb)
Mechanical life	1 x 10 ⁶ operating cycles
Switching frequency	≤ 50 / min.
Assembly	4 x M5
Connection	4 screw terminals (M3,5)
Conductor cross-sections	Solid: 0,5 ... 1,5 mm ² Litz wire with ferrules: 0,5 ... 1,5 mm ²
Cable entrance	1 x M20x1.5
Weight	≈ 0,22 kg
Installation position	Operator definable
Protection type	IP65 acc. to IEC/EN 60529
Standards	
	VDE 0660 T100, DIN EN 60947-1, IEC 60947-1 VDE 0660 T200, DIN EN 60947-5-1, IEC 60947-5-1
EU Conformity	
	CE
Approvals	
	cCSA _{US} A300 (same polarity)

Notes

The degree of protection (IP code) specified applies solely to a property closed cover and the use of an equivalent cable gland with adequate cable.

This document will not become the contractual basis; the details included herein do not constitute any descriptions of expected conditions, so that warranties/claims for defects on account of possible variations of the actual qualities from the qualities described herein are explicitly excluded. All rights reserved. Specifications subject to change without notice!

Date of issue: 09.11.2010 / Page 2 of 2
Document: 6012811029_en.doc / Last update: 2 / 2783-10